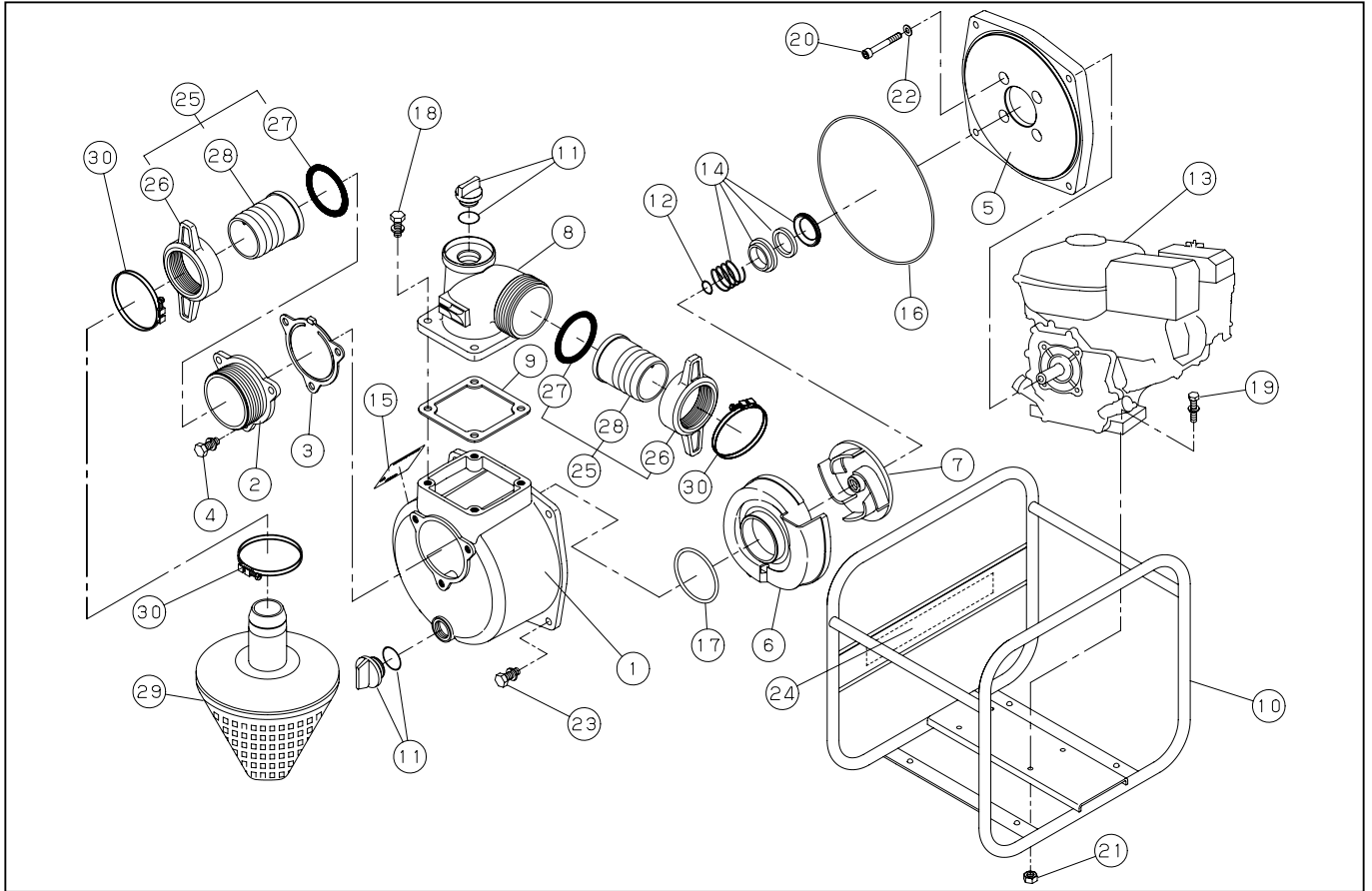


SE-50EX

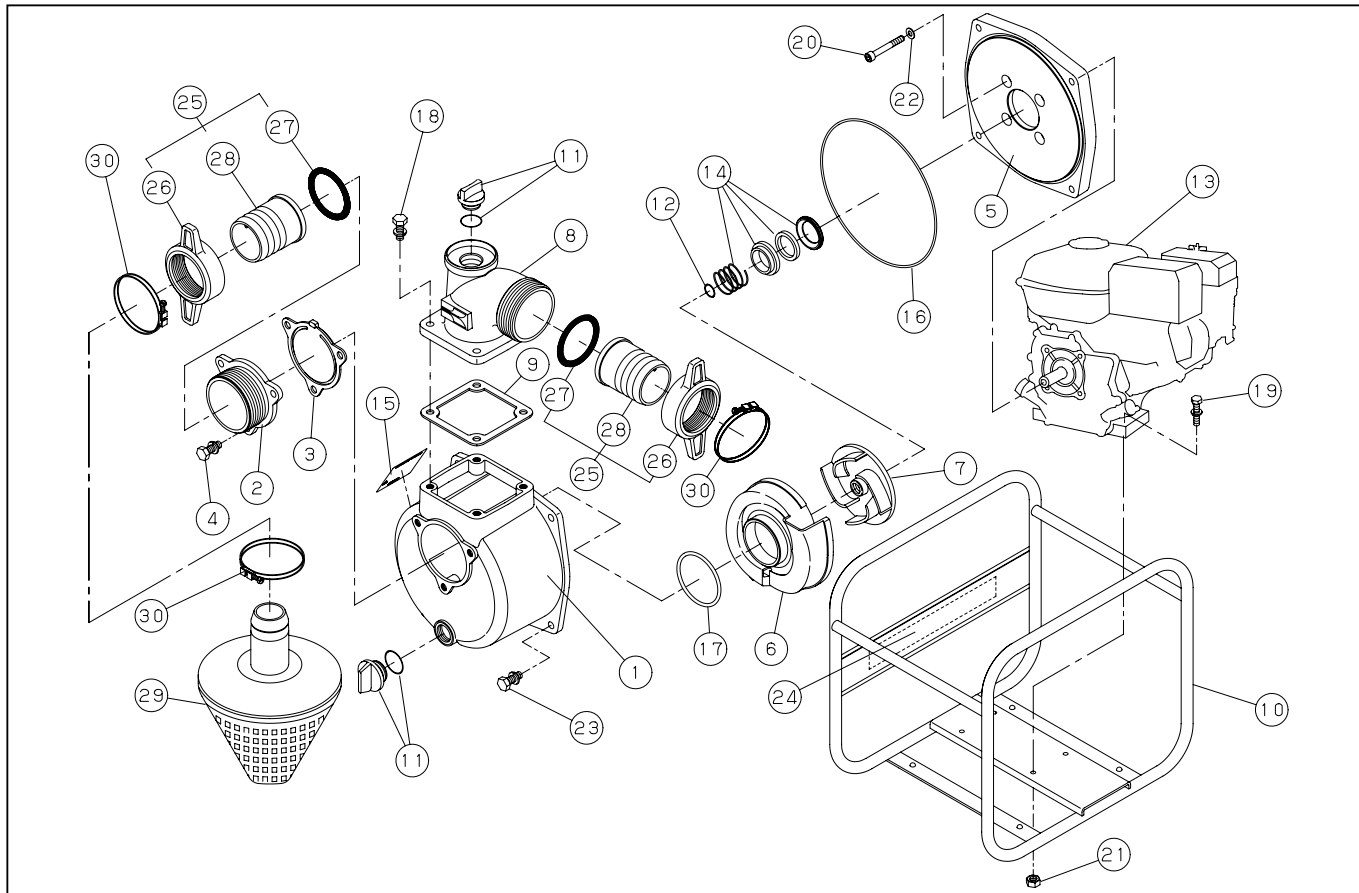


DWG No.012893201 MODEL:SE-50EX (EX13) FORM:SE-50EX-BAA-0

No.	PARTS CODE	PARTS NAME	QTY	MATERIAL	SIZE	REMARKS
1	012019501	PUMP CASING	1	ADC		
2	011266203	SUCTION FLANGE	1	ADC		
3	011266501	CHECK VALVE	1	NBR		
4	743119045	HEXAGON BOLT	3	SWRM	M8X20	
5	011257905	FLANGE BRACKET	1	ADC		
6	011464001	VOLUTE CASING	1	FC		
7	011353203	IMPELLER	1	FC		
8	011055605	DELIVERY FLANGE	1	ADC		
9	011054102	DELIVERY FLANGE PACKING	1	CR		
10	011799701	BASE SET	1			
11	011807802	20A PLUG SET	2			
12	011046601	IMPELLER ADJUSTING WASHER	3	BSP		
13	012027101	ENGINE	1	ROBIN EX130D10011		
14	011068803	MECHANICAL SEAL	1	CARBON CERAMIC	φ 18	
15	012044401	NAME PLATE	1			
16	011501401	O-RING	1	NBR	1517-42.5	
17	011279201	O-RING	1	NBR	P54	
18	743119047	HEXAGON BOLT	4	SWRM	M8X25	
19	743119051	HEXAGON BOLT	4	SWRM	M8X35	
20	734532076	HEXAGON SOCKET BOLT	4	SCM	M8X60	
21	827419008	HEXAGON NUT	4	SWRM	M8	
22	854255008	SEAL WASHER	4		φ 8	
23	743119046	HEXAGON BOLT	4	SWRM	M8X22	
24	012042801	SIDE PANEL LABEL	1			
25	011702603	COUPLING SET	2	ABS		
26	011339002	COUPLING	2	ABS		
27	011339101	COUPLING PACKING	2	NBR		
28	011035605	HOSE NIPPLE	2	ABS		
29	011815901	STRAINER SET	1			
30	940019060	HOSE BAND	3			

◆ Bare engine can not be supplied

SE-50EX



DWG No.012893201 MODEL:SE-50EX (EX13) FORM:SE-50EX-BAA-0

No.	PARTS CODE	PARTS NAME	QTY	MATERIAL	SIZE	REMARKS
	012044501	PACKING CASE	1			
	012046101	OPERATION MANUAL(5LANGS)	1	A5		
	011471806	CE MARK LABEL	1			
	011471302	CAUTION LABEL	1			
	012047001	DECLARATION	1			
	011628201	EU NOISE LABEL(103)	1			
	012046001	WARRANTY CARD	1			

◆ Bare engine can not be supplied