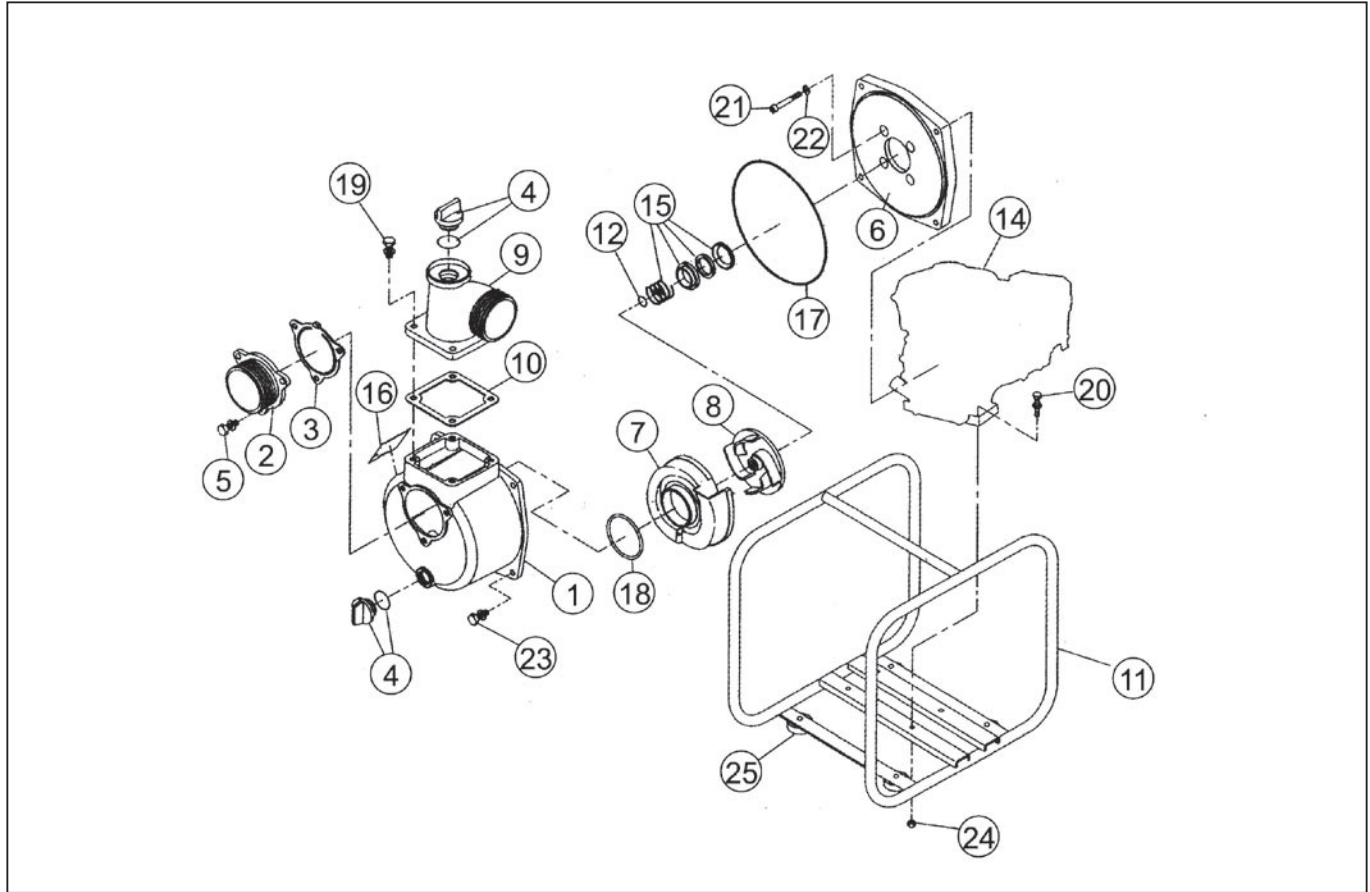


SE-50EX



DWG No. 012887002 MODEL:SE-50EX FROM:SE-50EX-BAB

No.	PARTS CODE	PARTS NAME	QTY	MATERIAL	SIZE	REMARKS
1	012030501	PUMP CASING	1	ADC	0112578	
2	011522601	SUCTION FLANGE	1	ADC	BARREL	
3	011266501	CHECK VALVE	1	NBR		
4	011807802	20A PLUG SET	2			
5	743119045	BOLT M8X20	3	SWRM	M8X20	
6	011257905	FLANGE BRACKET	1	ADC		
7	011464001	VOLUTE CASING	1	FC		
8	011353203	IMPELLER	1	FC		
9	011536301	DELIVERY FLANGE	1			
10	011054102	FLANGE PACKING	1	CR		
11	011787701	BASE SET	1	BLACK	NO.403	
13	011046601	ADJUSTING WASHER	3	BSP		
14	012007501	ENGINE WITH OIL ALERT	1	EX130D10100		
15	011068803	MECHANICAL SEAL	1		φ 18	
16	012007001	NAME PLATE	1			
17	011501401	O-RING 1517-42.5	1	NBR	1517-42.5	
18	011279201	O-RING P54	1	NBR	P54	
19	743119047	BOLT M8X25	4	SWRM	M8X25	
20	743119051	BOLT M8X35	4	SWRM	M8X35	
21	734532076	SOCKET BOLT M8X60	4	SCM	M8X60	
22	854255008	SEAL WASHER φ 8	4		φ 8	
23	743119046	BOLT M8X22	4	SWRM	M8X22	
24	827419008	NUT M8	4	SWRM	M8	

◆ Bare engine can not be supplied