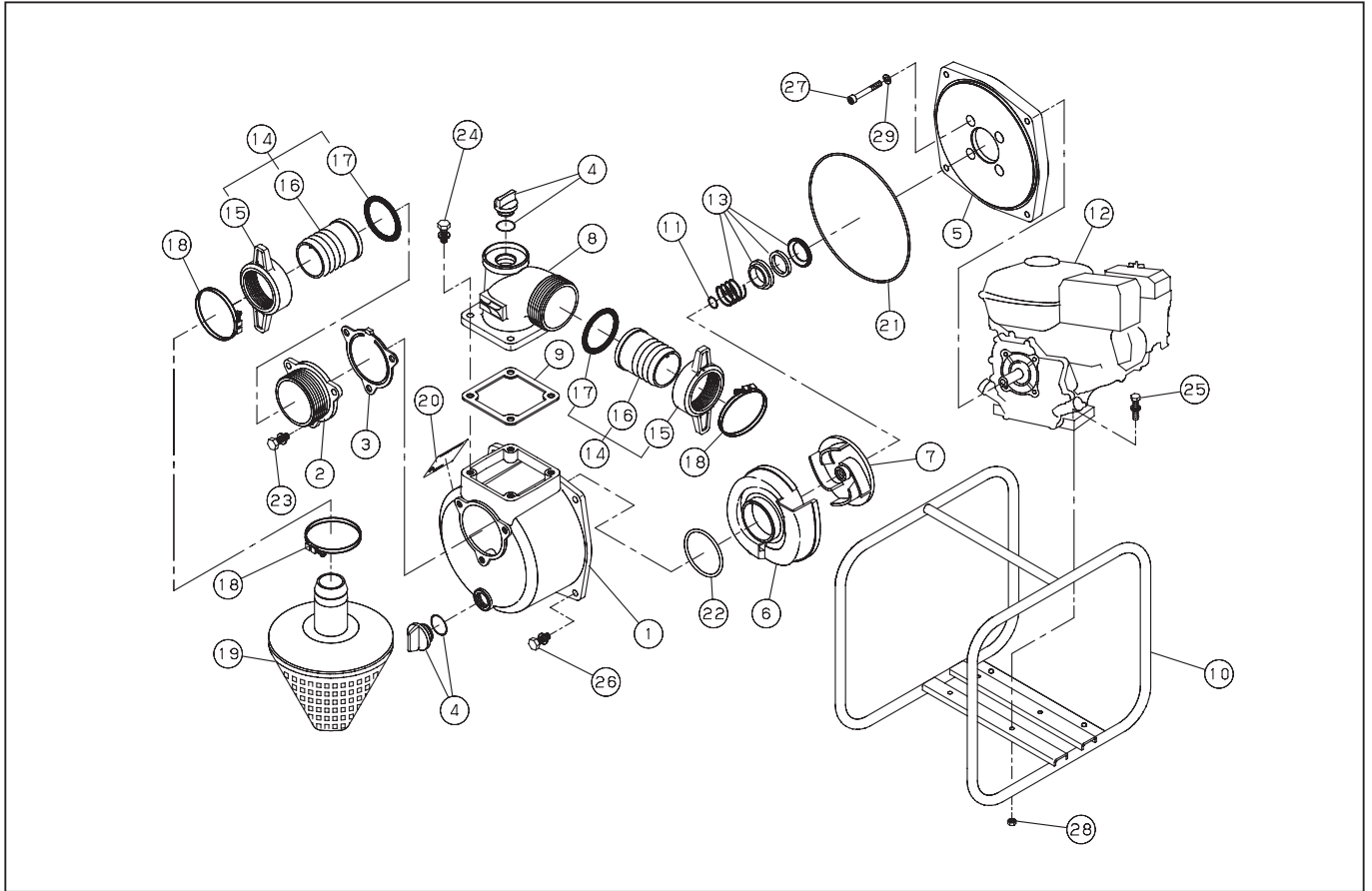


SE-50XK

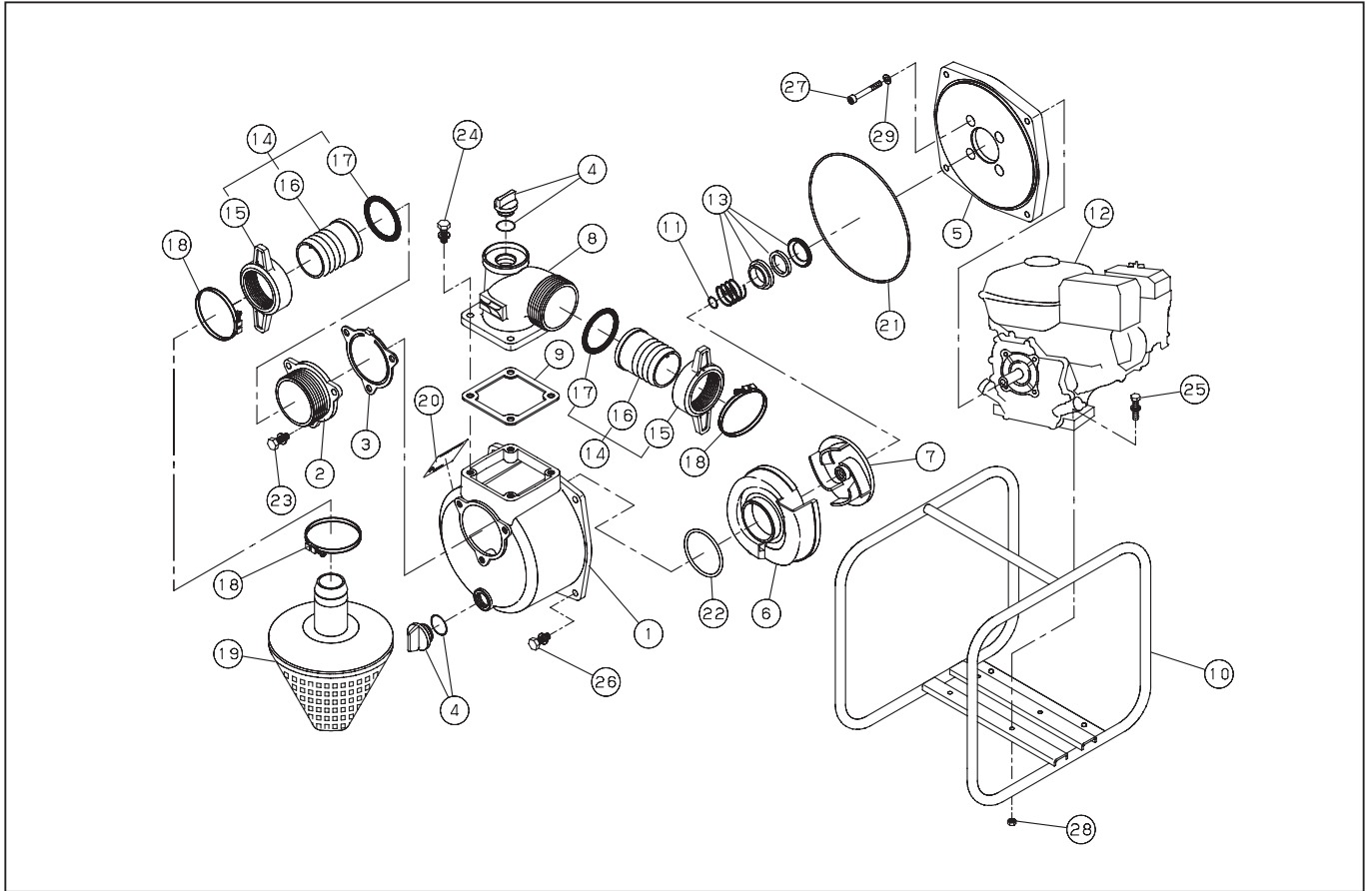


DWG No. 011929718 MODEL:SE-50XK FORM:SE-50X-BAI-2

No.	PARTS CODE	PARTS NAME	QTY	MATERIAL	SIZE	REMARKS
1	012019502	PUMP CASE	1	ADC		
2	011266203	SUCTION FLANGE	1	ADC		
3	011266501	CHECK VALVE	1	NBR		
4	011807802	20A PLUG SET	2			
5	011257902	FLANGE BRACKET	1	ADC		
6	011317503	VOLUTE CASING	1	FC		
7	011280701	IMPELLER	1	FC		
8	011055605	DELIVERY FLANGE	1	ADC		
9	011054102	DELIVERY FLANGE PACKING	1	CR		
10	011768702	BASE SET	1			
11	011046601	IMPELLER ADJUSTING WASHER	3	BSP		
12	011634201	ENGINE	1	ROBIN EY 153DK1030		
13	011068803	MECHANICAL SEAL	1	CARBON CERAMIC	φ 18	
14	011702603	COUPLING SET	2	ABS		
15	011339002	COUPLING	2	ABS		
16	011035605	HOSE NIPPLE	2	ABS		
17	011339101	COUPLING PACKING	2	NBR		
18	940019060	HOSE BAND	3		φ 60	
19	011815901	STRAINER	1	PP		
20	011291804	NAME PLATE	1			
21	011501401	O-RING	1	NBR	1517-42.5	
22	011279201	O-RING	1	NBR	P54	
23	743119045	HEXAGON BOLT	3	SWRM	M8X20	
24	743119047	HEXAGON BOLT	4	SWRM	M8X25	
25	743119051	HEXAGON BOLT	4	SWRM	M8X35	
26	743119046	HEXAGON BOLT	4	SWRM	M8X22	
27	734532076	HEXAGON SOCKET BOLT	4	SCM	M8X60	
28	827419008	HEXAGON NUT	4	SWRM	M8	
29	854255008	SEAL WASHER	4		φ 8	
	011291907	PACKING CASE	1			

◆ Bare engine can not be supplied

SE-50XK



DWG No. 011929718 MODEL:SE-50XK FORM:SE-50X-BAI-2

No.	PARTS CODE	PARTS NAME	QTY	MATERIAL	SIZE	REMARKS
	012816502	OPERATION MANUAL SET	1			

◆ Bare engine can not be supplied