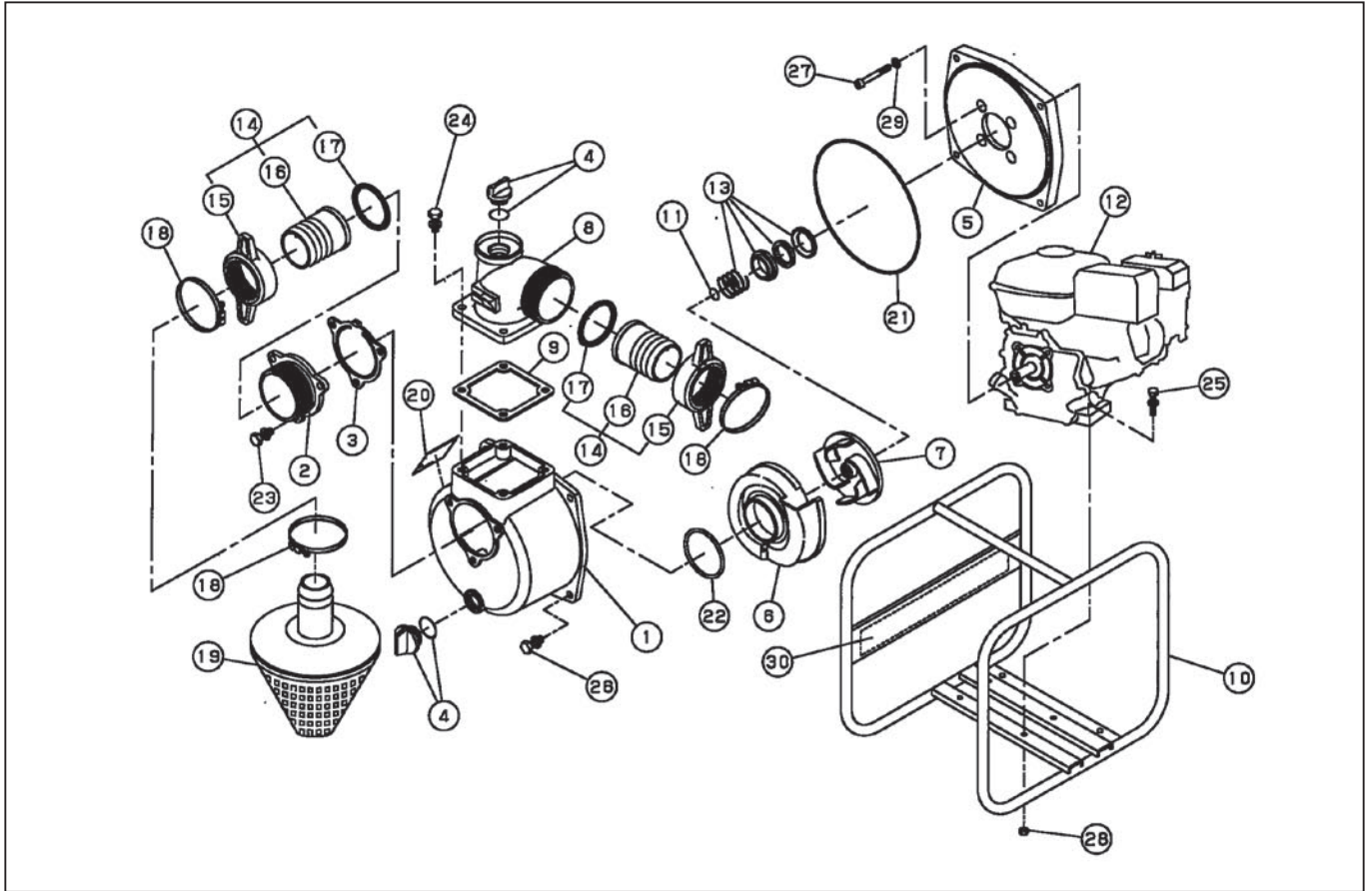


SEH-50X

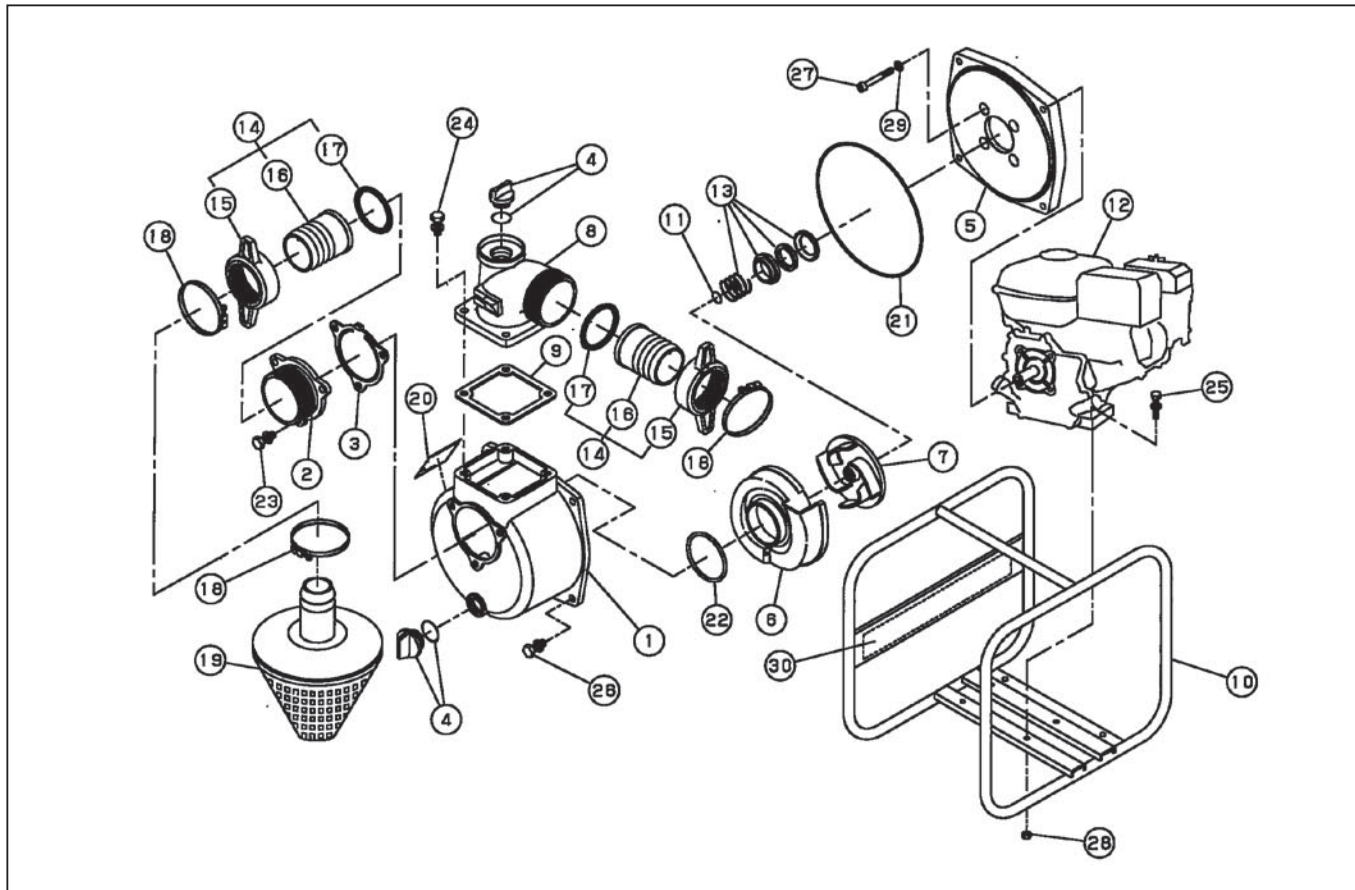


DWG No. 011933224 MODEL:SEH-50X FORM:SEH-50X-BAE-2

No.	PARTS CODE	PARTS NAME	QTY	MATERIAL	SIZE	REMARKS
1	012019502	PUMP CASE	1	ADC		
2	011266203	SUCTION FLANGE	1	ADC		
3	011266501	CHECK VALVE	1	NBR		
4	011807802	20A PLUG SET	2			
5	011257905	FLANGE BRACKET	1	ADC		
6	011353303	VOLUTE CASING	1	ADC		
7	011353202	IMPELLER	1	FC-20	H=19	
8	011462802	DELIVERY FLANGE	1	ADC		
9	011054102	DELIVERY FLANGE PACKING	1	CR		
10	011797702	BASE SET	1	NO.415		
11	011046601	IMPELLER ADJUSTING WASHER	3	BSP		
12	012054801	ENGINE	1			
13	011068803	MECHANICAL SEAL	1	CARBON CERAMIC	φ 18	
14	011702603	COUPLING SET	2	ABS		
15	011339002	COUPLING	2	ABS		
16	011035605	HOSE NIPPLE	2	ABS		
17	011339101	COUPLING PACKING	2	NBR		
18	012008601	HOSE BAND	3			
19	011815901	STRAINER SET	1	PP		
20	011315304	NAME PLATE	1	TFILM		
21	011501401	O-RING	1	NBR	1517-42.5	
22	011279201	O-RING	1	NBR	P54	(SAME AS 889855055)
23	743119045	HEXAGON BOLT	3	SWRM	M8X20	
24	743119046	HEXAGON BOLT	4	SWRM	M8X22	
25	743119047	HEXAGON BOLT	4	SWRM	M8X25	
26	743119051	HEXAGON BOLT	4	SWRM	M8X35	
27	734532076	HEXAGON SOCKET BOLT	4	SCM	M8X60	
28	854255008	SEAL WASHER	4		φ 8	
29	827419008	HEXAGON NUT	4	SWRM	M8	
30	012042802	SIDE PANEL LABEL	1			

◆ Bare engine can not be supplied

SEH-50X



DWG No. 011933224 MODEL:SEH-50X FORM:SEH-50X-BAE-2

No.	PARTS CODE	PARTS NAME	QTY	MATERIAL	SIZE	REMARKS
	011399009	PACKING CASE	1			
	011800002	OPERATION MANUAL SET	1			FOR SE..

◆ Bare engine can not be supplied