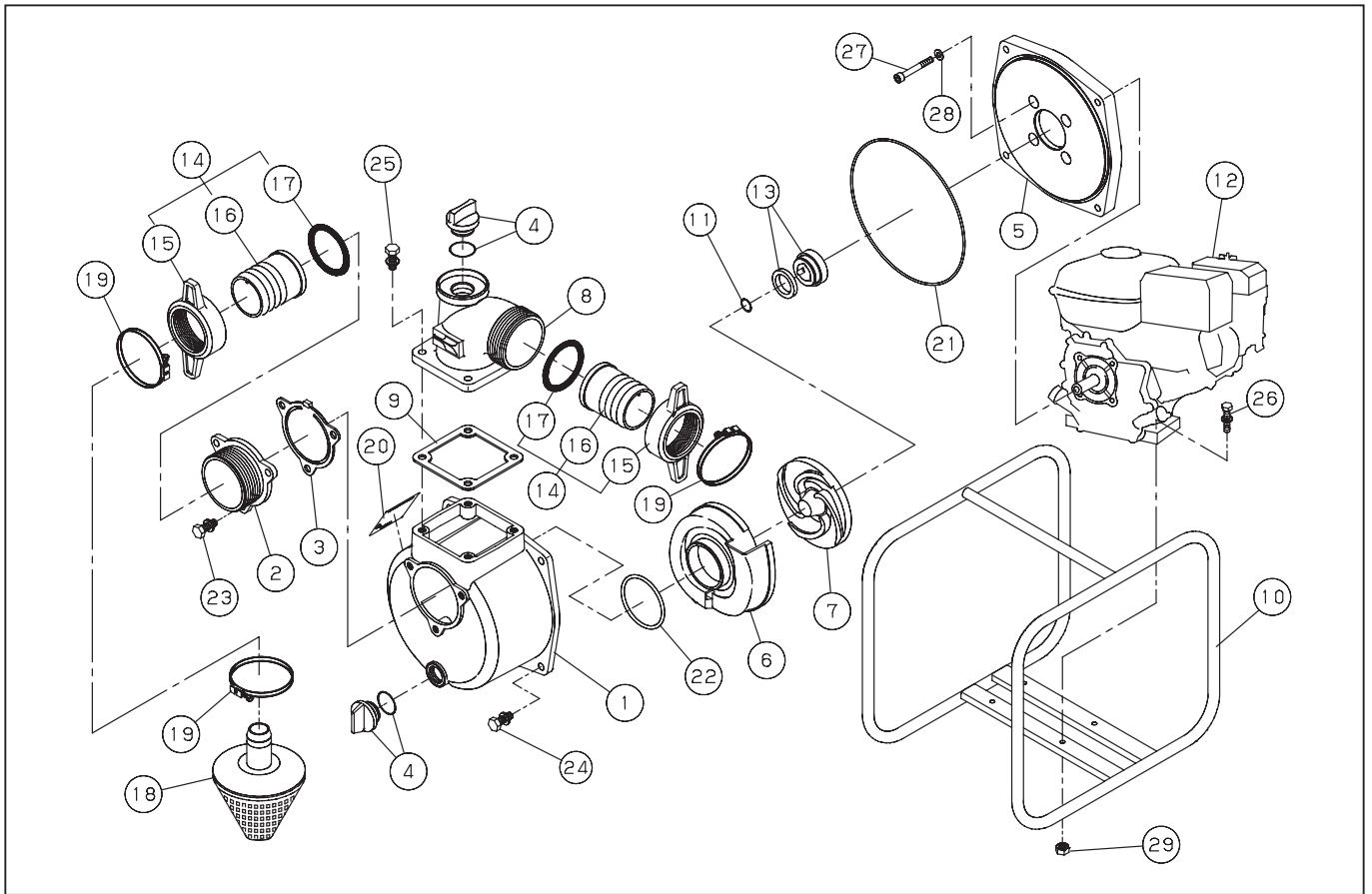


SEH-50X

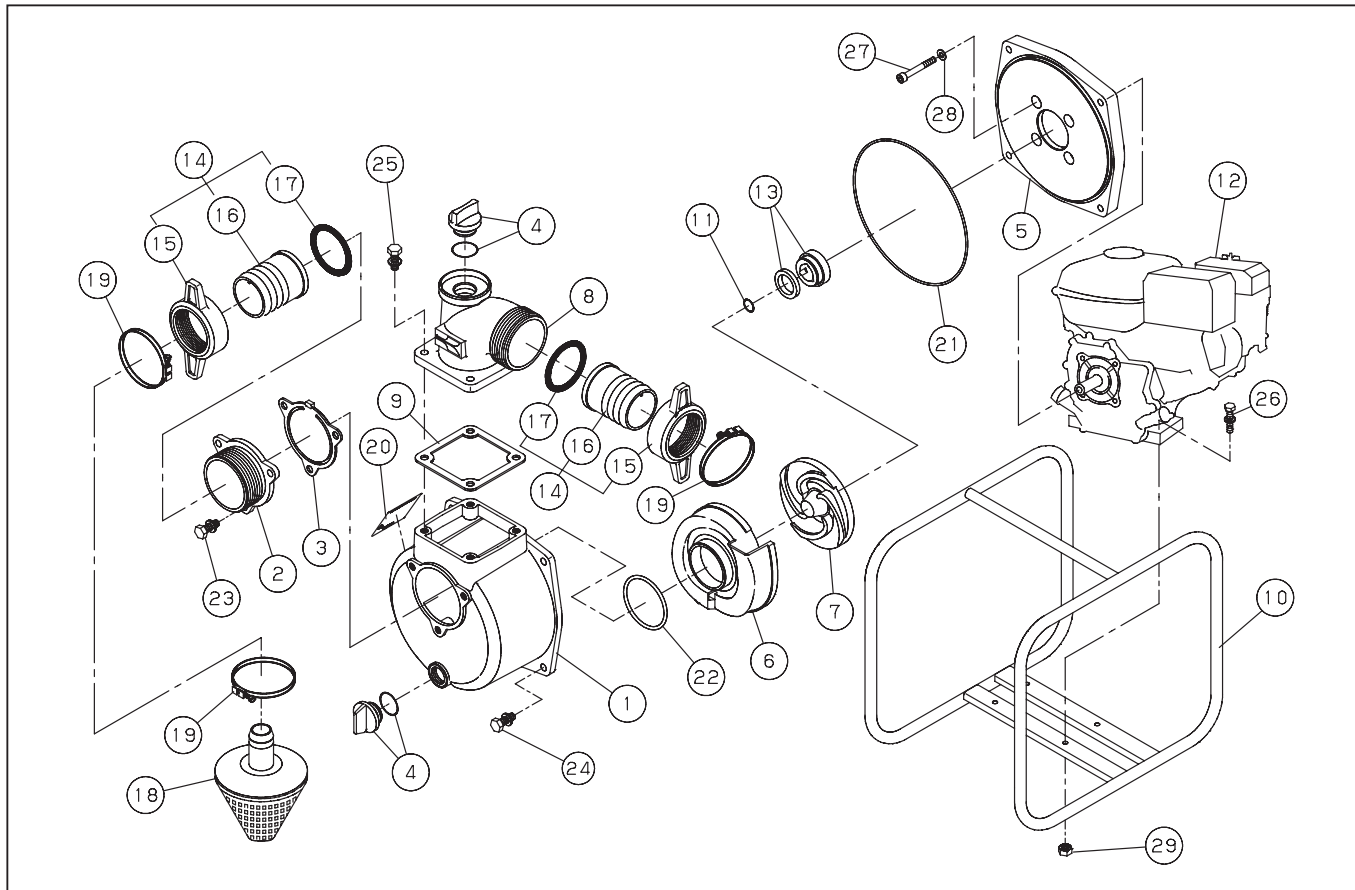


GWG No.066850610 MODEL:SEH-50X FORM:SEH-50X-BEB-1

No.	PARTS CODE	PARTS NAME	QTY	MATERIAL	SIZE	REMARKS
1	012019501	PUMP CASING	1	ADC	(0112578)	
2	011266203	SUCTION FLANGE	1	ADC		
3	011266501	CHECK VALVE	1	NBR		
4	743119045	HEXAGON BOLT	3	SWRM	M8X20	
5	011807802	20A PLUG SET	1			
6	011526802	FLANGE BRACKET	1	ADC		
7	011464001	VOLUTE CASING	1	FC-20		
8	011661601	IMPELLER	1	FC-20		
9	011462802	DELIVERY FLANGE	1	ADC		
10	011054102	DELIVERY FLANGE PACKING	1	CR		
11	011551001	IMPELLER ADJUSTING WASHER	3	BSP		
12	011666001	ENGINE	1	HONDA GX120K1WBTR8		
13	012006201	MECHANICAL SEAL	1	HJ-20(B)	66BAHT	
14	011501401	O-RING	1	NBR	1517-42.5	
15	011279201	O-RING	1	NBR	P54	(SAME AS 889855055)
16	743119046	HEXAGON BOLT	4	SWRM	M8X22	
17	743119047	HEXAGON BOLT	4	SWRM	M8X25	
18	743119051	HEXAGON BOLT	4	SWRM	M8X35	
19	734532066	HEXAGON SOCKET BOLT	4	SCM	M8X25	
20	827419008	HEXAGON NUT	4	SWRM	M8	
21	854255008	SEAL WASHER	4		φ 8	
22	012820101	BASE SET	1			CLOR:BLACK
23	011666902	NAME PLATE	1			
24	011702602	COUPLING SET	2	ABS		
25	011339002	COUPLING	2	ABS		
26	011339101	COUPLING PACKING	2	NBR		
27	011035605	HOSE NIPPLE	2	ABS		
28	011815901	STRAINER SET	1	PP		
29	940019060	HOSE BAND	3		φ 60	
	012077301	PACKING CASE	1			

◆ Bare engine can not be supplied

SEH-50X



GWG No.0668506 10 MODEL:SEH-50X FORM:SEH-50X-BEB-1

No.	PARTS CODE	PARTS NAME	QTY	MATERIAL	SIZE	REMARKS
	012045801	OPERATION MANUAL	1			FOR SE SERIES.
	012045904	SPECIFICATION SHEET	1			

◆ Bare engine can not be supplied