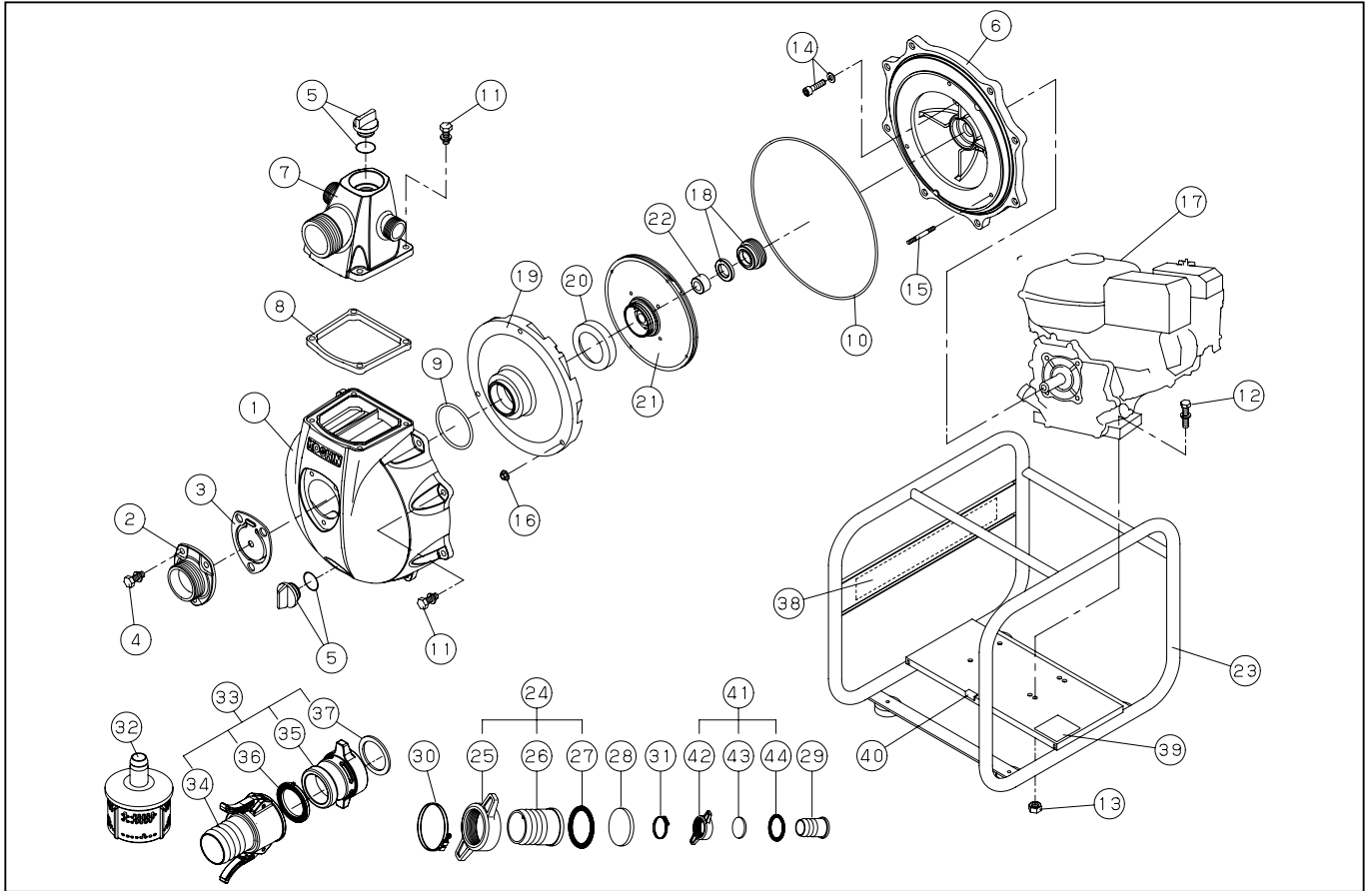


**SERM-50V**

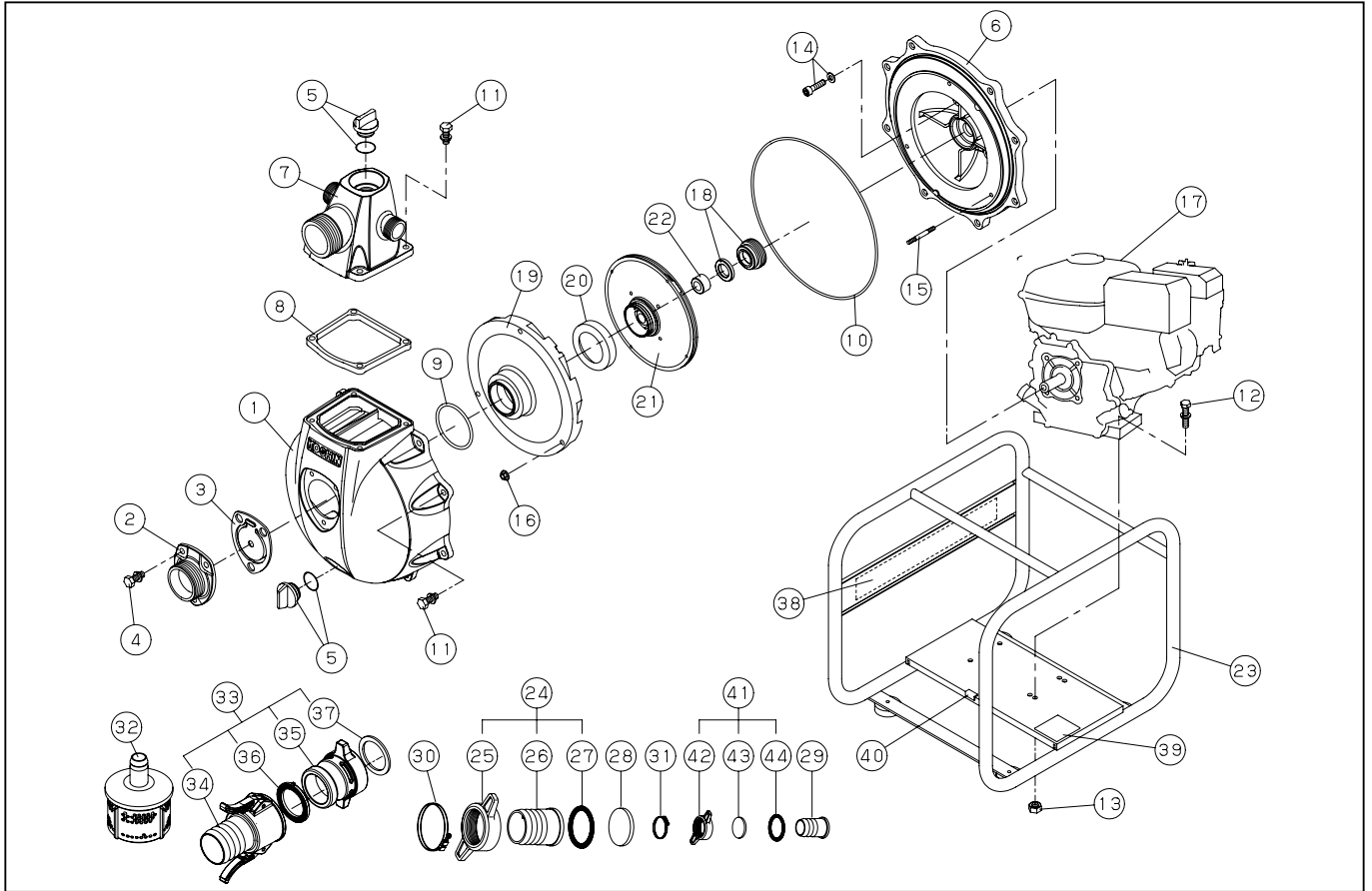


DWG No.012893401 MODEL:SERM-50V FORM:SERM-50V-BAA-0

No.	PARTS CODE	PARTS NAME	QTY	MATERIAL	SIZE	REMARKS
1	012039301	PUMP CASING(KOSHIN)	1	ADC		
2	012039401	SUCTION FLANGE	1	G		
3	012039801	CHECK VALVE	1	NBR		
4	743119045	HEXAGON BOLT	3	SWRM	M8X20	
5	011807802	20A PLUG SET	2			
6	012039601	FLANGE BRAKET	1	ADC		
7	012039501	DELIVERY FLANGE	1			
8	012039901	DELIVERY FLANGE PACKING	1	NBR		
9	889855056	O-RING	1	NBR	P56	
10	011501601	O-RING	1	NBR	1517-51.5	
11	743119047	HEXAGON BOLT	12	SWRM	M8X25	
12	743119053	HEXAGON BOLT	4	SWRM	M8X40	
13	827419008	HEXAGON NUT	4	SWRM	M8	
14	012043701	HEXAGON SOCKET BOLT	4		M8X30XS22	
15	012043801	STUD BOLT	3	SUS	M6X46(12/12)	
16	012043901	SPRING NUT,COUNTERSINK	3	SUS	M6	
17	012044201	ENGINE	1	MTSUBISHI GM182PN-74C		
18	012038901	MECHANICAL SEAL	1		φ 20	
19	012039001	VOLUTE CASING	1	FC		
20	012039701	WEARING	1			
21	011799001	IMPELLER ASSY	1	FC		
22	012044801	IMPELLER BUSH	1	S45C		
23	011799201	BASE SET	1			
24	011704101	COUPLING SET	1	ADC + ADC + NBR		
25	011035505	COUPLING	1	ADC		
26	011245301	HOSE NIPPLE	1	ADC		
27	011076601	CAM LOCK BODY PACKING	1	NBR		
28	012048601	SEALING PLATE (50)	1			
29	011042303	25 HOSE NIPPLE	2	ADC12		
30	940019060	HOSE BAND	3		φ 60	

◆ Bare engine can not be supplied

**SERM-50V**



DWG No.012893401 MODEL:SERM-50V FORM:SERM-50V-BAA-0

No.	PARTS CODE	PARTS NAME	QTY	MATERIAL	SIZE	REMARKS
31	940019032	HOSE BAND	2		φ 32	
32	011804703	STRAINER SET	1			
33	011835701	QUICK COUPLING ASSY	1			
34	011749101	CAM LOCK NIPPLE (WITH LEVER)	1			
35	011283704	CAM LOCK BODY	1			
36	011348701	CAM LOCK PACKING	1	NBR		
37	011076601	CAN LOCK BODY PACKING	1			
38	012045601	PLATE LABEL	1			
39	012045701	NAME PLATE	1			
40	012047101	RUBBER SHEET	1			
41	011800901	SEALING COUPLING ASSY(25)	2	(ADC COUPLING)		
42	011042202	COUPLING	2	ADC12		
43	012048501	SEALING PLATE(25)	2			
44	011019201	COUPLING PACKING	2	NBR		
	012045301	PACKING CASE	1			
	012045401	OPERATION MANUAL(5LANGS)	1			
	012045501	DECLARATION	1			
	011473401	ENGINE CAUTION LABEL A	1			
	011473501	ENGINE CAUTION LABEL B	1			
	011471806	CE MARK LABEL	1			
	011471302	CAUTION LABEL	1			
	011643101	EU NOISE LABEL(101)	1			

◆ Bare engine can not be supplied