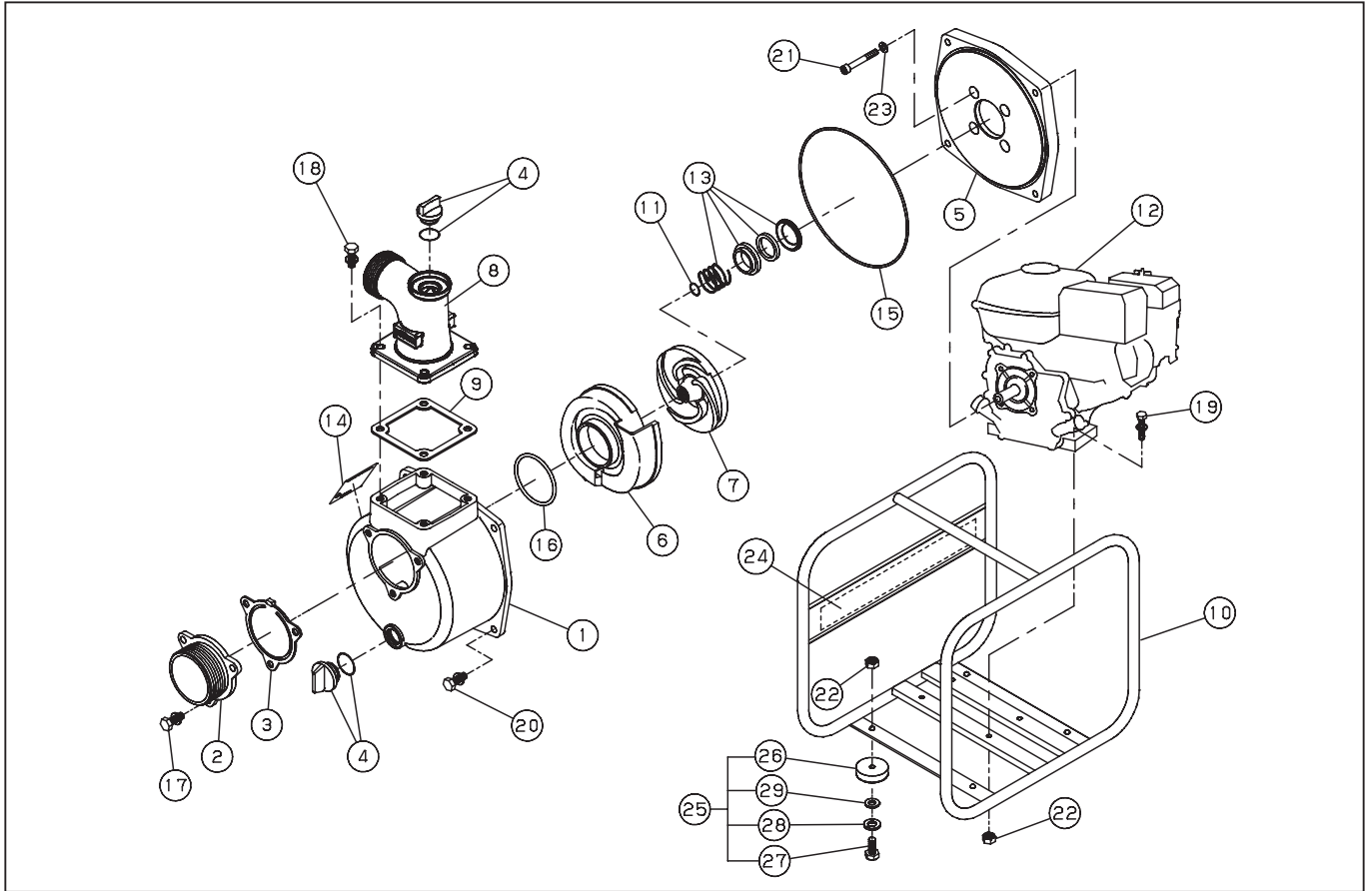


SEV-50X

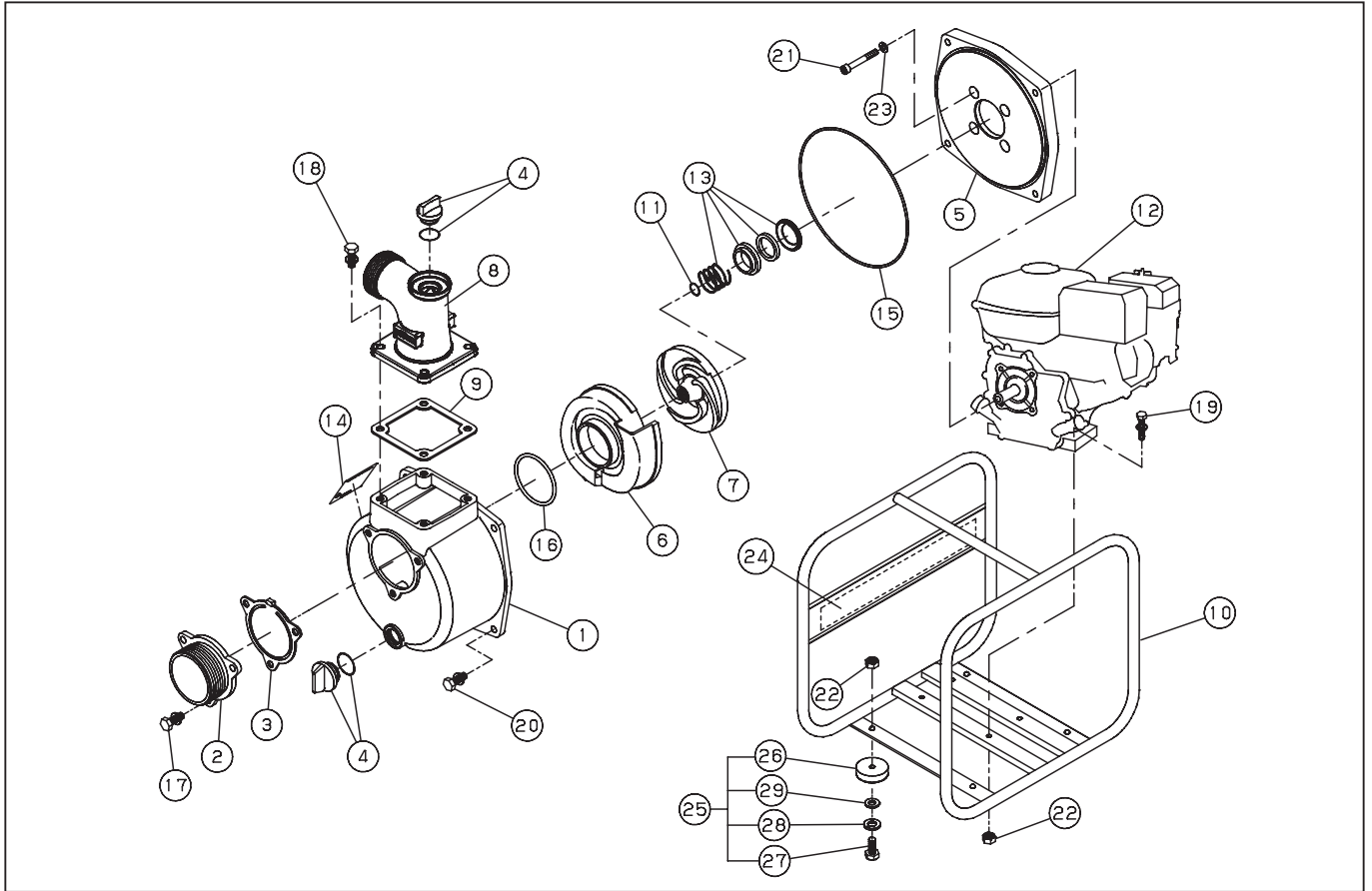


DWG No.012909901 MODEL:SEV-50X FORM:SEV-50X-BAC-0

No.	PARTS CODE	PARTS NAME	QTY	MATERIAL	SIZE	REMARKS
1	012019501	PUMP CASING	1	ADC	(0112578)	
2	011282201	SUCTION FLANGE	1	ADC		
3	011266502	CHECK VALVE	1			
4	011807802	20A PLUG SET	2			
5	012122601	FLANGE BRACKET	1			
6	012093301	VOLUTE CASING	1			
7	012122701	IMPELLER	1			
8	012068702	DELIVERY FLANGE (NPT)	1			
9	011054102	FLANGE PACKING	1	CR		
10	012831801	BASE SET	1			
11	011049102	ADJUSTING WASHER	3	BSP		
12	012128301	ENGINE (K-180)(USA)	1			
13	011066402	MECHANICAL SEAL	1		φ 20	
14	012127701	NAME PLATE	1			
15	011501402	O-RING	1			
16	011279202	O-RING	1			
17	743119045	BOLT M8X20	3	SWRM	M8X20	
18	743119047	BOLT M8X25	4	SWRM	M8X25	
19	743119051	BOLT M8X35	4	SWRM	M8X35	
20	743119046	BOLT M8X22	4	SWRM	M8X22	
21	734532076	SOCKET BOLT M8X60	4	SCM	M8X60	
22	827419008	NUT M8	8	SWRM	M8	
23	854255008	SEAL WASHER	4		φ 8	
24	012042802	SIDE PANEL LABEL	1			
25	011734501	50L CUSHION RUBBER SET	1			
26	011051502	CUSHION RUBBER	4	F-23		
27	735719148	BOLT M8X20	4		M8X20	
28	843822008	SPRING WASHER	4		φ 8	
29	846007008	WASHER	4		φ 8	
	012128701	PACKING CASE	1			

◆ Bare engine can not be supplied

SEV-50X



DWG No.012909901 MODEL:SEV-50X FORM:SEV-50X-BAC-0

No.	PARTS CODE	PARTS NAME	QTY	MATERIAL	SIZE	REMARKS
	012127501	MANUAL	1			
	012042802	SIDE PANEL LABEL	1			

◆ Bare engine can not be supplied